



CS218XL

CINEMA SUBWOOFER MODULE

SLS AUDIO A DIVISION OF DOLBY LABORATORIES 1650 W. JACKSON OZARK, MO 65721 417-323-7000

TECH DATA SHEET



Description:

The CS218XL is a dual 18" subwoofer. It is a high performance, front loaded, vented box design with maximized low frequency extension.

The 18" drivers used in the CS218XL use a neodymium magnet structure and a high-temperature voice coil which results in a power handling of 500W RMS each.

Key Features:

- ◆ Ported, front-loaded driver design for high sensitivity
- ◆ Extended low frequency response
- ◆ 13-ply 3/4" Baltic Birch cabinet construction
- ◆ Extensive internal bracing
- ◆ (2) 500W RMS 18" Drivers
- ◆ Barrier strip input connection

Applications:

- ◆ Developed for high performance cinema applications where the highest quality and intelligibility of sound is required
- ◆ Cinema systems extreme low frequency support

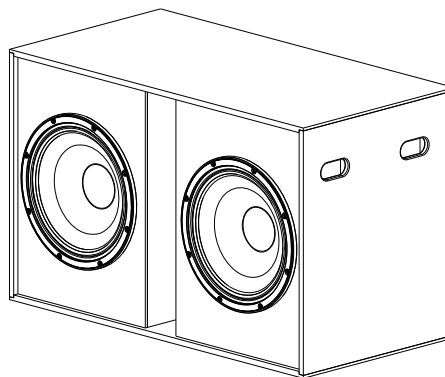
Specifications/CS218XL*

Operating Range	29Hz to 300Hz
Sensitivity (1W@1M) ¹	102dB
Power Handling ²	1200W (69V) AES/2
Recommended Amplifier	2400W @ 4 ohms
Max SPL (calculated) 1M	133dB Cont. / 139dB Peak
Nominal Impedance	4 ohms
Transducers	18" Woofer x 2
Input	Barrier Strip
Dims	30" (76cm) H 48" (122cm) W 25.2" (64cm) D
Enclosure	13 ply Baltic birch
Net Weight	148lbs.
Finish Options	Flat Black Latex

*Due to product improvement research, SLS Audio reserves the right to make changes to existing products without notice.

1. A sine wave sweep is applied to a voltage level measured at the loudspeaker terminals corresponding to 1W@1M as referenced to the loudspeakers nominal impedance and the measuring distance. SPL is measured in an anechoic environment in the loudspeakers far field with the exception of subwoofers which are measured in half space. Sensitivity is determined by a Log/Log averaging method from 315Hz to 16kHz in the anechoic environment. Subwoofers use the same method with the half space measurement but within their specified operating bandwidth.

2. AES established in accordance with AES/2-2012 standard.



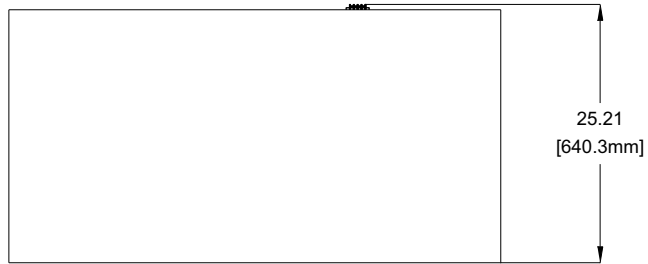


CS218XL

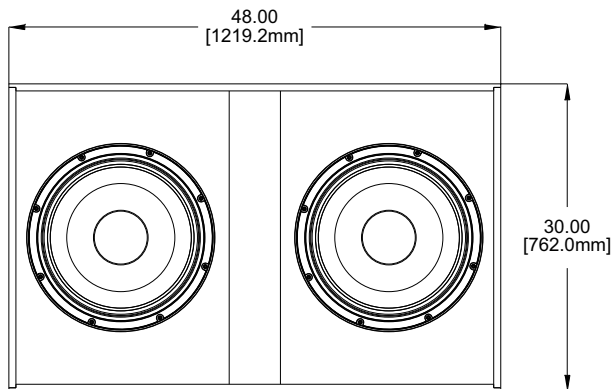
CINEMA SUBWOOFER MODULE

SLS AUDIO A DIVISION OF DOLBY LABORATORIES 1650 W. JACKSON OZARK, MO 65721 417-323-7000

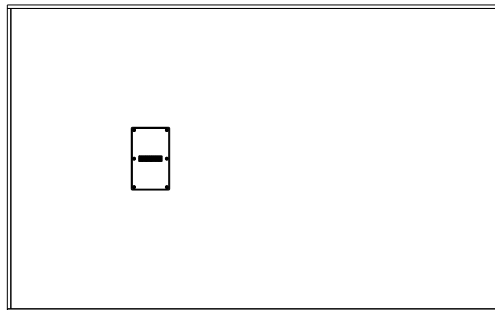
TECH DATA SHEET



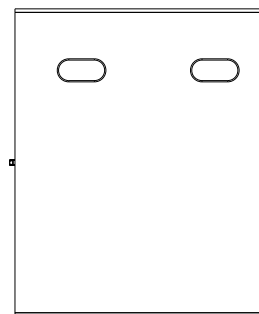
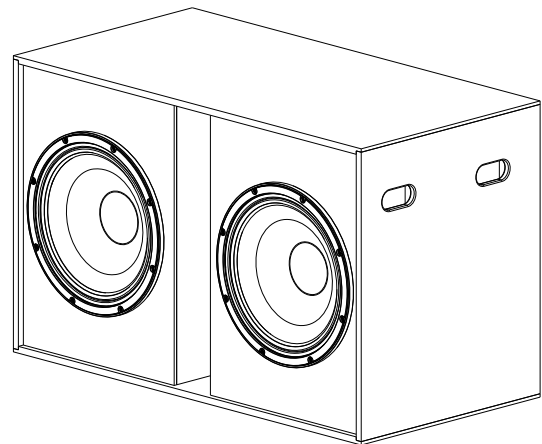
TOP



FRONT



BACK



SIDE