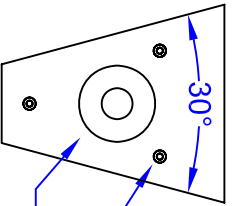
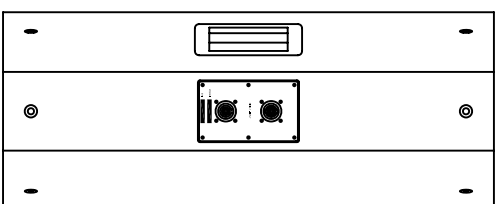
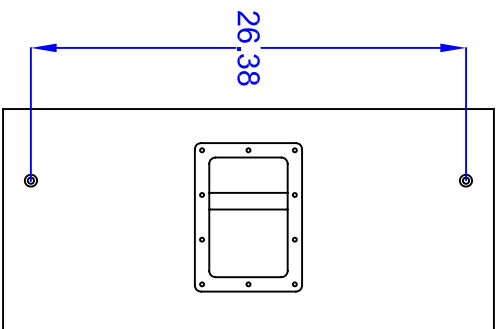
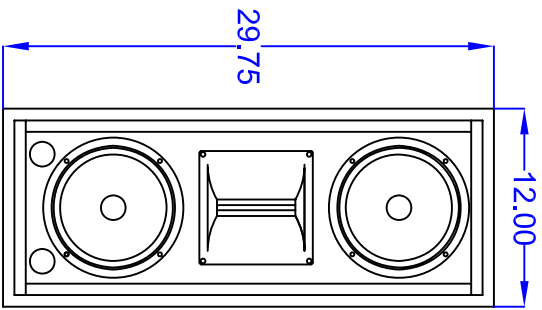
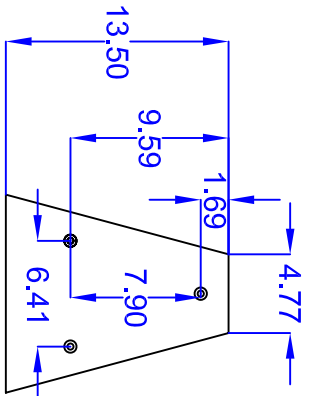


REVISIONS						
REV	DESCRIPTION	ECN	DATE	DFTSMN	CHK	APPR
01						
02						



3/8-16 FLY POINT
12 PLCS.
POLE MOUNT

UNLESS OTHERWISE SPECIFIED

1:10 NOT SCALE DRAWING
2 DIMENSIONS ARE IN INCHES

TOLERANCE

X/X = ±1/64

XX = ±0.3

.XXX = ±.010

ANGULAR ±5°

FINISH

AS SPECIFIED

AS SPECIFIED

AS SPECIFIED

AS SPECIFIED

SLS LOUDSPEAKERS

1650 W. Jackson
Dzork, MD 65721
417-883-4549 Fax: 417-883-2723

MECHANICAL SPECIFICATIONS

T28R CABINET

DWGNO. T28R

REV. 0

SCALE 1/1

SHEET 1 OF 1