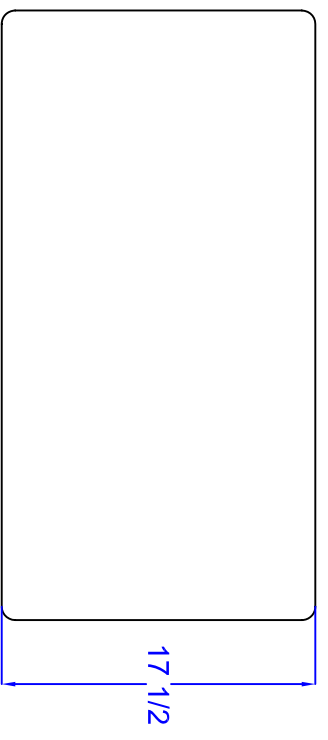
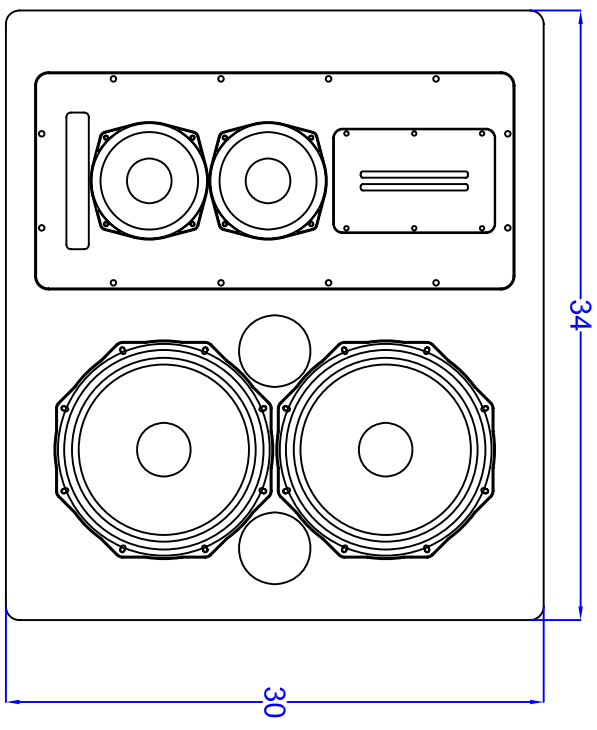


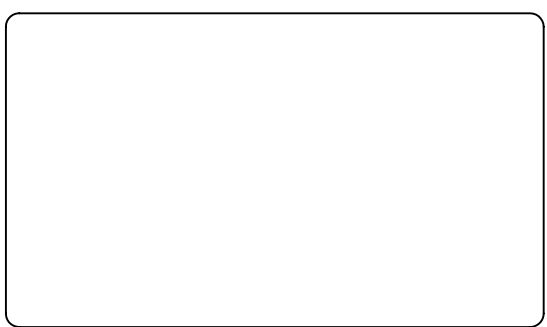
REVISIONS						
REV	DESCRIPTION	ECN	DATE	DFTSMN	CHK	APPR
01						
02						



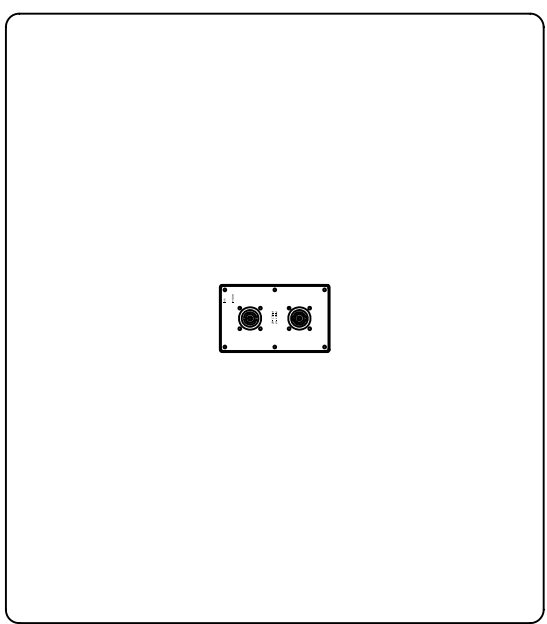
TOP



FRONT



SIDE



BACK

UNLESS OTHERWISE SPECIFIED		TOLERANCE		DRAWN BY		DATE	
1:10 NOT SCALE DRAWING		X/Y = ±1/64		P. SPURLOCK		06/23/05	
DIMENSIONS ARE IN INCHES		XX = ±.03		CHECKED BY			
		XXX = ±.010		APPROVED BY			
MATERIAL		FINISH		AS SPECIFIED			
AS SPECIFIED		✓		AS SPECIFIED			
MECHANICAL SPECIFICATION		SLS LOUDSPEAKERS		SCALE		1/1	
S1266 CABINET		1650 W. JACKSON		SHEET		1 OF 1	
417-883-4549 Fax: 417-883-2723		DZARK, MD 65721		REV.		0	