



Product Technical Data Sheet

Model 8290

Description

The 8290 a full-range passive high quality dual 8" design. It serves as a multipurpose portable PA box that offers a small format with maximum SPL. The multi-angle cabinet allows for use as a stage monitor as well.

The 8290 high frequency section features a high performance PRD500 planar ribbon transducer designed and manufactured by SLS Loudspeakers. The unique design and properties of the planar ribbon driver allows for a very clear delivery and transient accuracy even at the limits of its performance. The PRD500 is contained within a 90 degree die cast aluminum waveguide.



Key Features:

- PRD500 ribbon high frequency driver delivers unsurpassed sound quality
- Multi-angle cabinet for house or stage monitor use
- Included rubber feet for stage monitor use
- Rotatable Ribbon
- Handle and pole socket
- 90 degree wide horizontal coverage
- ¾" 13 ply Baltic Birch cabinet

Product Specifications	
Operating Range ¹	55Hz - 20,000Hz
Sensitivity (1W/1M) ²	96dB
Horizontal Coverage Angle -6dB ³	90 Degrees
Vertical Coverage Angle -6dB ³	30 Degrees
Power Handling ⁴	200W RMS (40 Volts) AES/2
Max SPL (calculated) 1 Meter	119dB Cont. / 125dB Peak
Recommended Amp Power for Max Output	400 Watts @ 8 ohms
Nominal Impedance	8 Ohms
Crossover Frequency	Internal Passive 1600Hz
Transducers - Low Freq.	8" Bass/Midrange x2
High Freq.	PRD500 Ribbon
Input	NL4 x2
Dimensions	29.75" (75.6cm) H 11.63" (29.5cm) W 12.1" (30.7cm) D
Enclosure	13ply Baltic Birch
Weight	43lbs (19.5kg) 51lbs (23kg)
Rigging	No rigging points provided
Finish Options	Black Latex White Latex Paintable Natural Finish

Applications

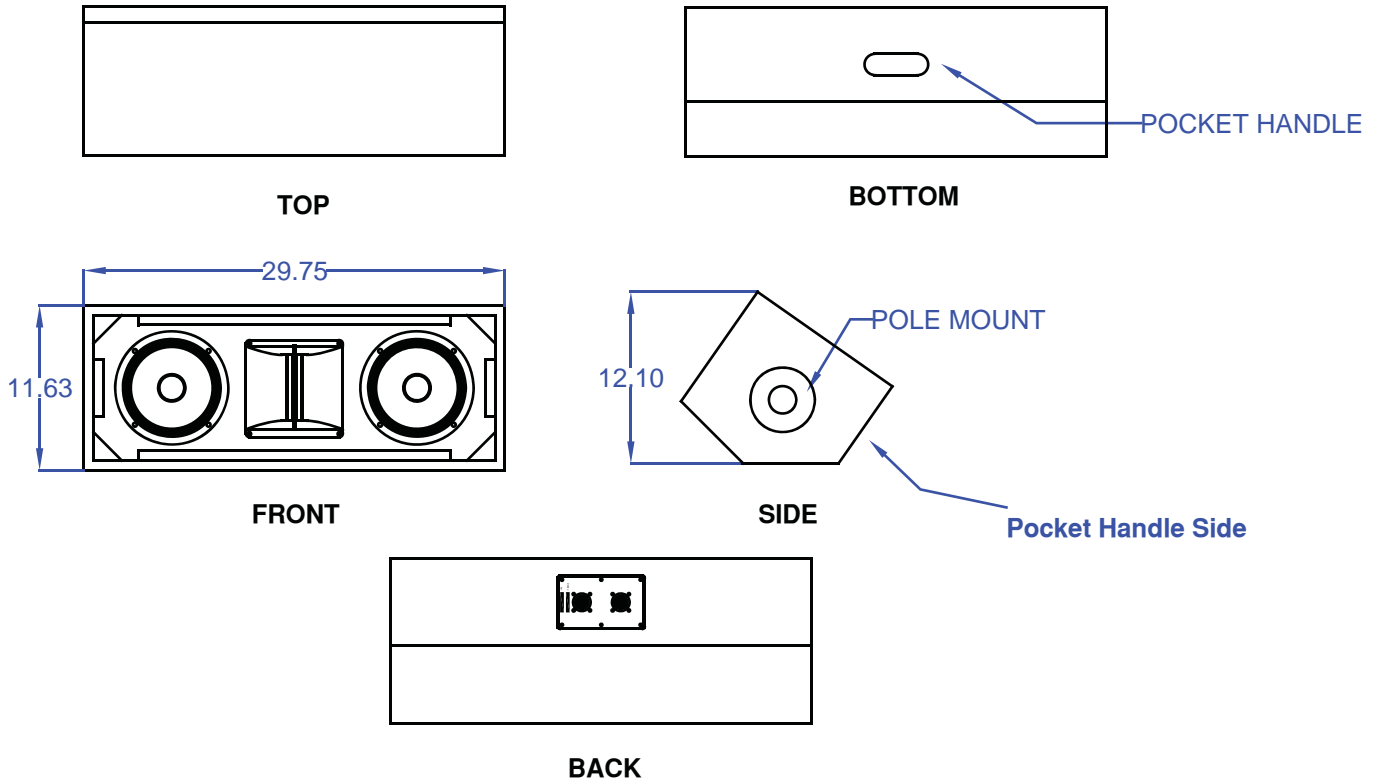
Developed for a wide range of professional applications where the highest quality and intelligibility of sound is required

- Portable PA
- Multi-Media Installations
- Stage Monitor

1. LF at -10dB, HF -6dB at 40kHz on-axis however response above 20kHz is limited by air absorption and DSP sampling rates in typical PA applications.
 2. Full bandwidth pink noise is applied and amplified to a level and measured at the loudspeaker terminals - corresponding to 1 Watt as referenced to the loudspeakers nominal impedance. SPL is measured in an anechoic environment in the loudspeakers far field. Data is extrapolated to 1 Meters distance from the loudspeaker.
 3. Averaged from 1000Hz to 10kHz
 4. AES established with ambient temperature at 22C in accordance with AES/2-1984 standard. IEC stated in RMS voltage according to IEC 268-5



8290 Drawings



Polars

