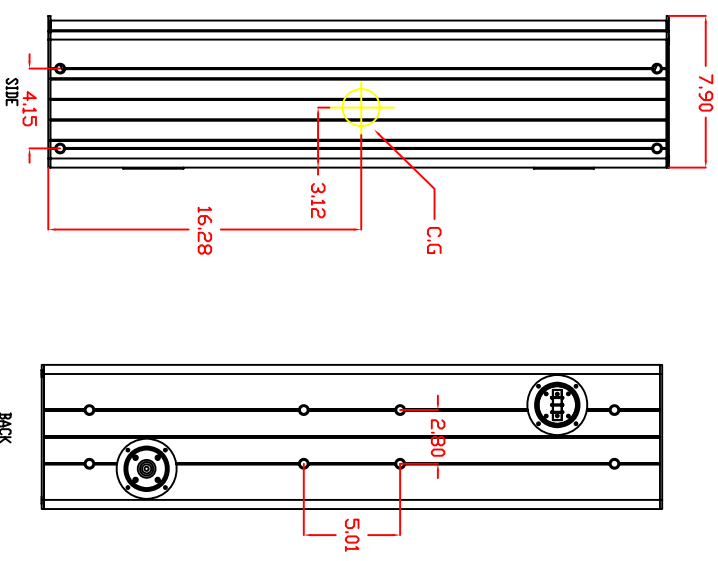
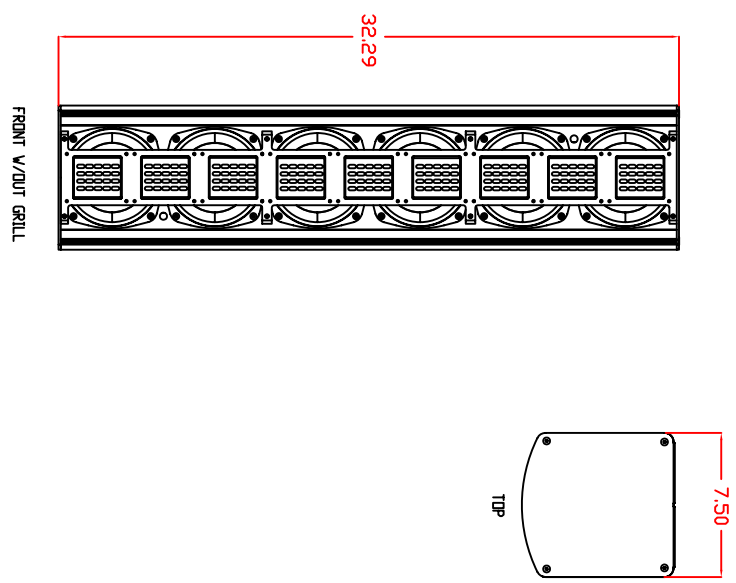


REVISIONS

REV	DESCRIPTION	ECN	DATE	DFTSMN	CHK	APPR
01						
02						



UNLESS OTHERWISE SPECIFIED		TOLERANCE	
1:10 NOT SCALE DRAWING DIMENSIONS ARE IN INCHES		X/X = ±1/64 XX = ±.03 XXX = ±.010 ANGULAR ±5°	
MATERIAL	FINISH	DRAWN BY	DATE
SEE NOTE	✓		
FINISH	SEE NOTE	CHECKED BY	DWGNO.
SEE NOTE		APPROVED BY	SCALE 1/1
<p>SLS LOUDSPEAKERS</p> <p>1650 W. Jackson Dzark, MD 65721 417-883-4549 Fax: 417-883-2723</p>		<p>PART NAME: LS6593</p>	
		SHEET 1 OF 1	
		REV. 0	