



Product Technical Data Sheet

**Model CS118**

Description

The CS118 is a single 18" subwoofer. It serves as a high performance ported box design contained in the smallest box size possible while still providing excellent low frequency extension.

The 18" driver for the CS118 use an aluminum basket, large magnet structure and a high-temperature 4" voice coil.



Key Features:

- 13-ply Baltic Birch cabinets
- 19-ply Baltic Birch motor board
- Substantial internal bracing

Product Specifications	
Operating Range	38 – 400Hz
Sensitivity <sup>1</sup> (1W/1m)	99dB
Power Handling <sup>2</sup>	600 Watts RMS
Max SPL(calculated) @ 1 Meter	127dB Cont. / 133dB Peak
Recommended Amp Power for Max Output	1200 Watts
Nominal Impedance	8 Ohms
Transducers	18" Woofer
Input	5-Way Binding Post
Dimensions	25" (63.5cm)H
	25" (63.5cm)W
	25.312" (64.3cm)D
Enclosure	13 ply Baltic Birch
Weight	90lbs (54.6kg)
Finish	Rugged black latex paint

**Applications**

Developed for high performance cinema applications where the highest quality and intelligibility of sound is required

- Cinema Systems Low Frequency Support

1. Full bandwidth pink noise is applied and amplified to a level and measured at the loudspeaker terminals - corresponding to 1 Watt as referenced to the loudspeakers nominal impedance. SPL is measured in an anechoic environment in the loudspeakers far field. Data is extrapolated to 1 Meters distance from the loudspeaker.  
2. Conforms to AES2-1984 (r1997) method

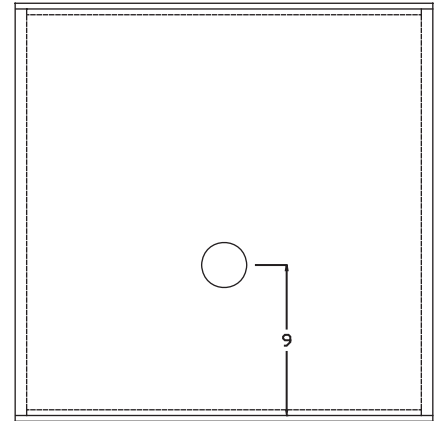


# Product Drawings

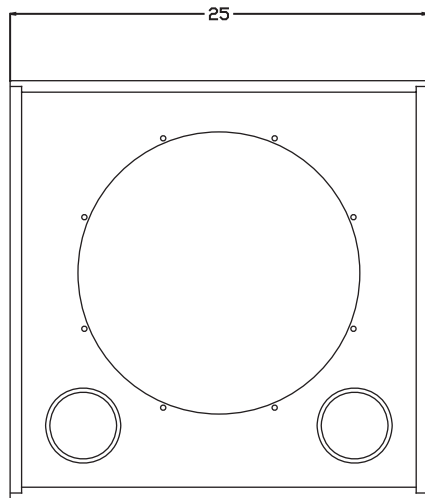
---



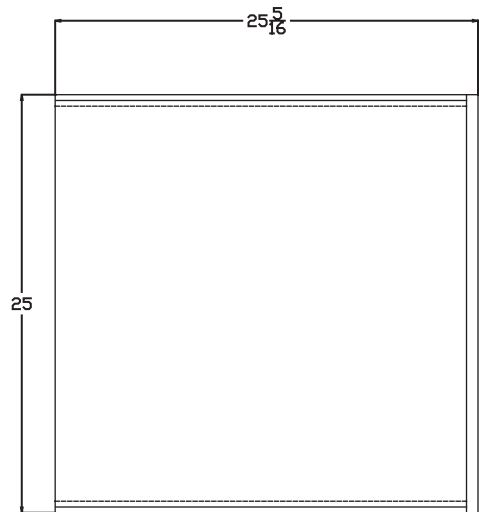
Top



Back



Front



Side