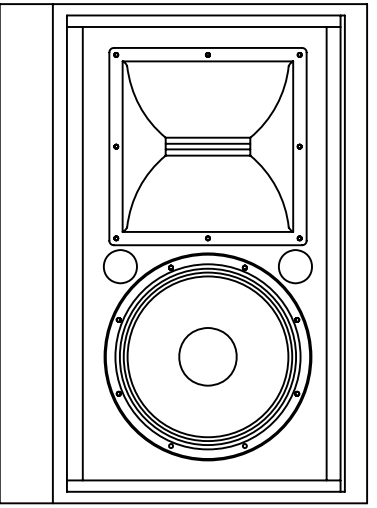
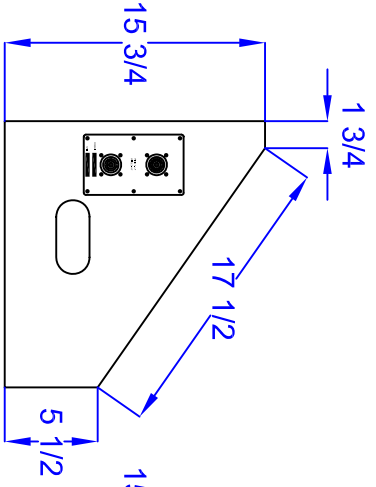


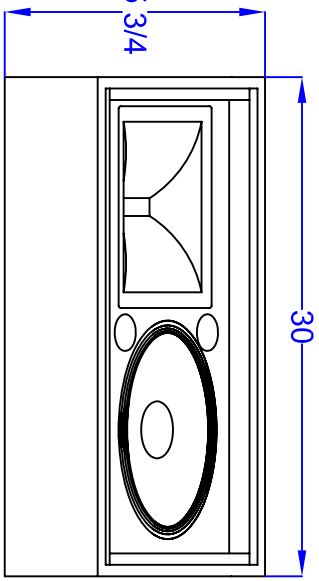
REVISIONS						
REV	DESCRIPTION	ECN	DATE	DFTSMN	CHK	APPR
01						
02						



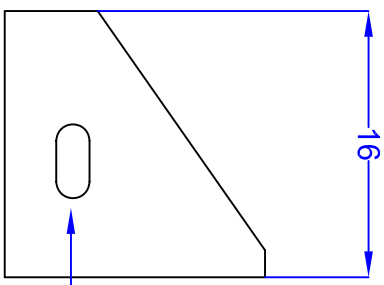
TOP



LEFT SIDE



FRONT



RIGHT SIDE

POCKET HANDLE

UNLESS OTHERWISE SPECIFIED		TOLERANCE		DRAWN BY		DATE	
1:10 NOT SCALE DRAWING		X/X = ±1/64		P. SPURLOCK		08/09/05	
DIMENSIONS ARE IN INCHES		XX = ±.03		CHECKED BY			
		XXX = ±.010		APPROVED BY			
MATERIAL		ANGULAR ±5°		FINISH		✓	
AS SPECIFIED				AS SPECIFIED			
FINISH				MECHANICAL SPECIFICATION		112RM CABINET	
				SLS LOUDSPEAKERS		1650 W. JACKSON	
				Dzark, MD 65721		417-883-4549 Fax: 417-883-2723	
				SCALE 1/1		SHEET 1 OF 1	
				REV. 1			