



Product Technical Data Sheet

**Model 118XEL**

Description

The 118XEL is a single 18" subwoofer. It is a high performance front loaded vented box design with maximized low frequency extension.

The 18" driver for the 118XEL uses a Neo magnet structure, a high-temperature voice coil and is rated at 1000W RMS.

Key Features:

- Ported front loaded driver design
- Extended low frequency response
- 13-ply Baltic Birch cabinet
- Extensive internal bracing
- Integrated rigging points
- 1000W RMS 18" Driver



**Applications**

Developed for a wide range of professional applications where the highest quality is required

- Portable PA
- Installation under stages
- Flown to supplement main clusters
- Placed between two full range boxes as part of an engineered cluster design

Product Specifications	
Operating Range <sup>1</sup>	29Hz - 200Hz
Sensitivity (1W/1M) <sup>2</sup>	99dB
Power Handling <sup>3</sup>	1000W (89 Volts) AES/2
Recommended Amp Power for Max Output	2000 Watts @ 8 ohms
Max SPL (calculated) 1 Meter	129dB Cont. / 135dB Peak
Nominal Impedance	8 Ohms
Transducer	18" Woofer
Input	NL4 x2
Dimensions	30" (76cm) H 25" (64cm) W 27.5" (70cm) D
Enclosure	13ply Baltic Birch
Weight	100lbs (45kg) Shipping 131lbs (59kg)
Rigging	16 points (3/8"/16 threaded inserts)
Finish Options	Black Latex White Latex Paintable Natural Finish

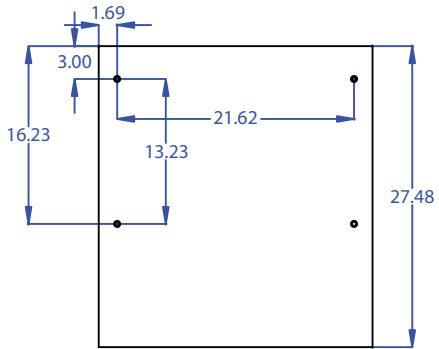
1. LF at -10dB

2. Full bandwidth pink noise is applied and amplified to a level and measured at the loudspeaker terminals - corresponding to 1 Watt as referenced to the loudspeakers nominal impedance. SPL is measured in a half-space environment in the loudspeakers far field. Data is extrapolated to 1 Meters distance from the loudspeaker.

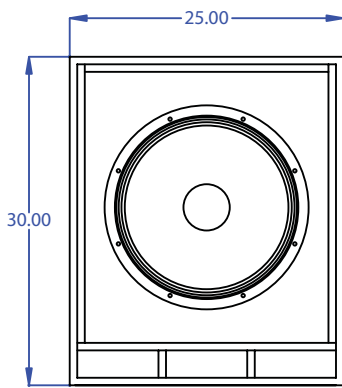
3. AES established with ambient temperature at 22C in accordance with AES/2-1984 standard. IEC stated in RMS voltage according to IEC 268-5



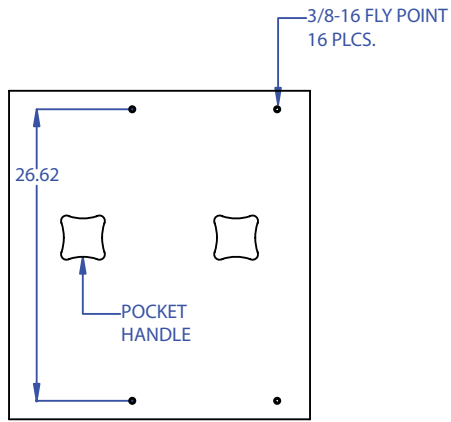
# 118XEL Drawings



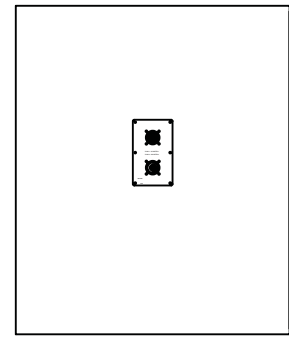
TOP



FRONT



SIDE



BACK