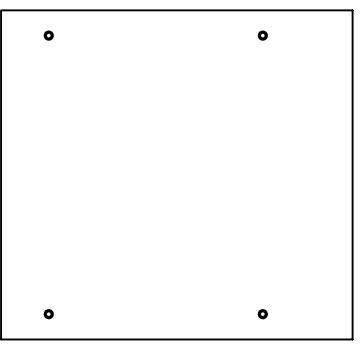
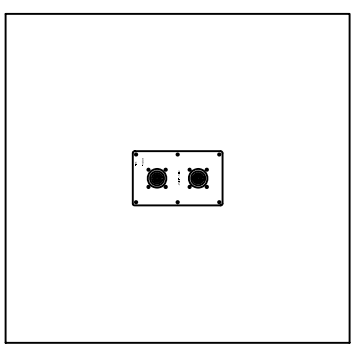
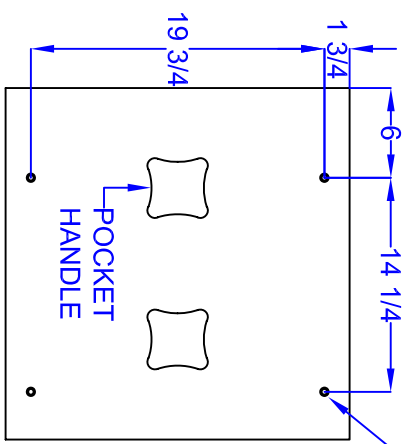
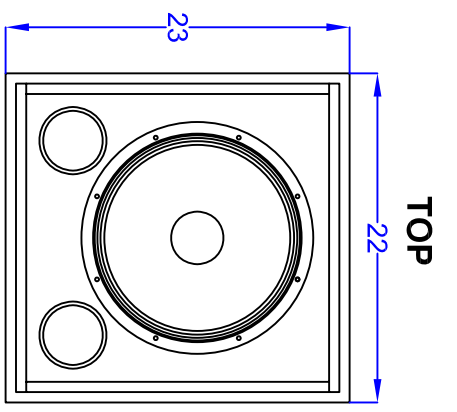
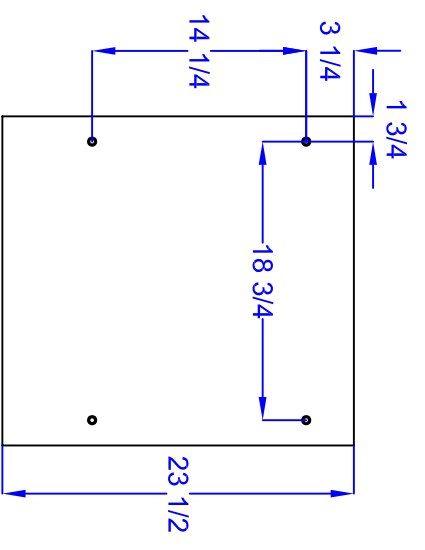


REVISIONS						
REV	DESCRIPTION	ECN	DATE	DFTSMN	CHK	APPR
01						
02						



3/8-16 FLY POINT  
16 PLCS.

UNLESS OTHERWISE SPECIFIED		TOLERANCE		<b>SLS LOUDSPEAKERS</b> 1650 W. JACKSON DZARK, MD 65721 417-883-4549 Fax: 417-883-2723	
1:10 NOT SCALE DRAWING DIMENSIONS ARE IN INCHES		X/X = ±1/64 XX = ±.03 XXX = ±.010 ANGULAR ±5°			
MATERIAL		FINISH		MECHANICAL SPECIFICATION	
AS SPECIFIED		✓		11SEL CABINET	
DRAWN BY		DATE		DWGNO.	
P. SPURLOCK		03/01/05		11SEL	
CHECKED BY				SCALE 1/1	
APPROVED BY				SHEET 1 OF 1	
				REV. 0	