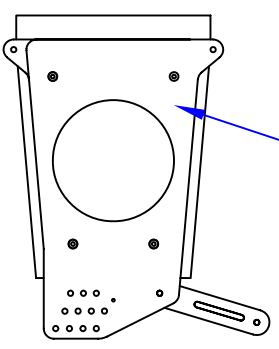
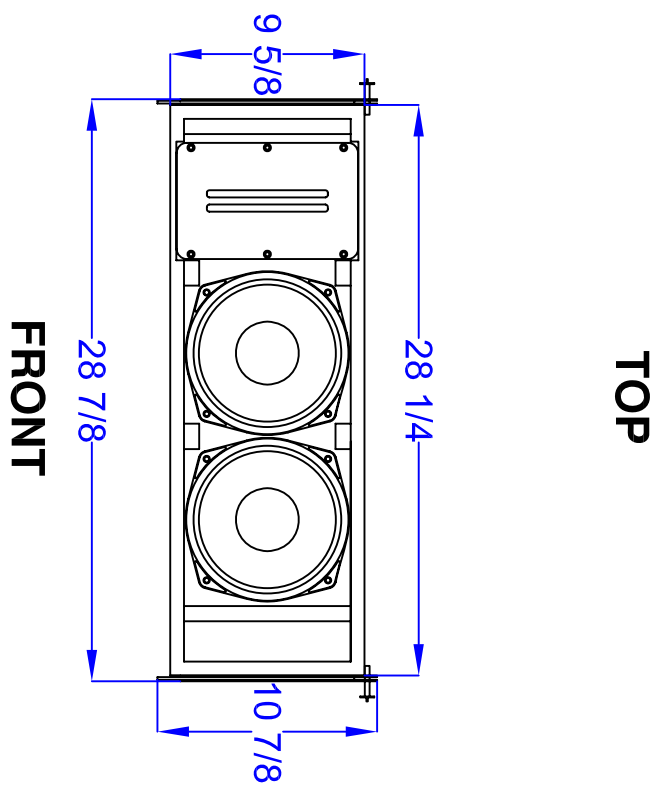
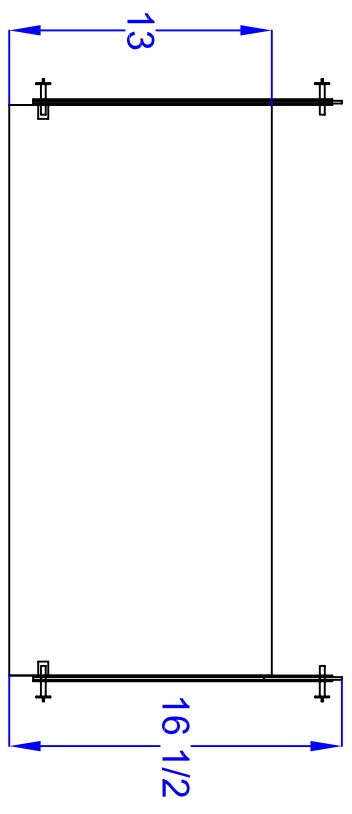
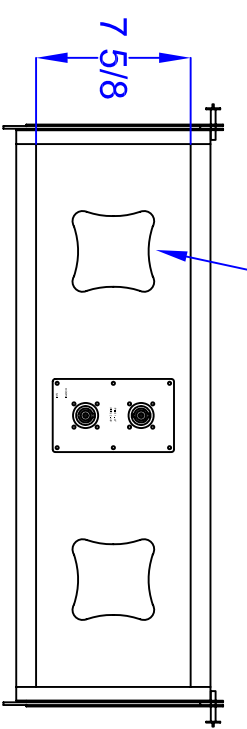


REVISIONS						
REV	DESCRIPTION	ECN	DATE	DFTSMN	CHK	APPR
01						
02						



RIGGING PLATES WITH BILLET



POCKET HANDLE

UNLESS OTHERWISE SPECIFIED		TOLERANCE		SLS LOUDSPEAKERS 1650 W. Jackson Ozark, MD 65721 417-883-4549 Fax: 417-883-2723	
1:10 NOT SCALE DRAWING DIMENSIONS ARE IN INCHES		X/X = ±1/64 XX = ±.03 XXX = ±.010 ANGULAR ±5°			
MATERIAL AS SPECIFIED		FINISH ✓		MECHANICAL SPECIFICATION	
AS SPECIFIED		DRAWN BY P. STURLOCK		LS8800 CABINET	
AS SPECIFIED		CHECKED BY		DVGND. LS8800	
		DATE 04/19/05		SCALE 1/1	
		APPROVED BY		SHEET 1 OF 1	
				REV. 0	