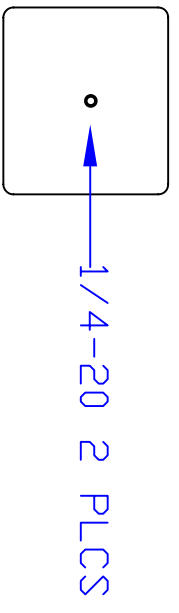
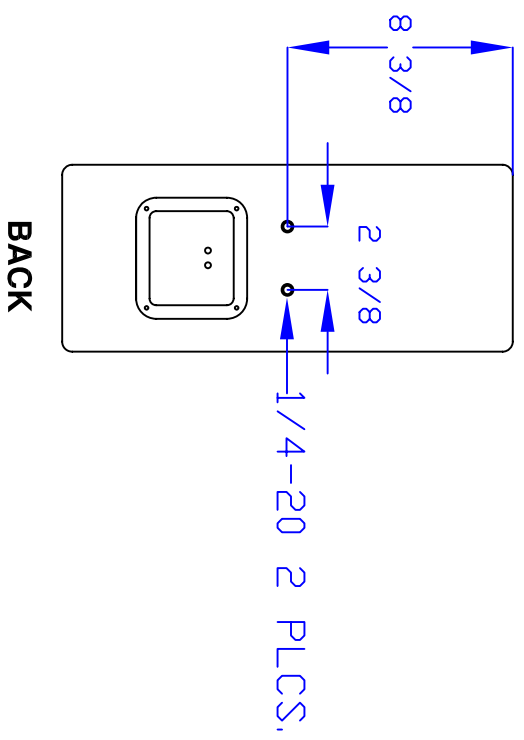
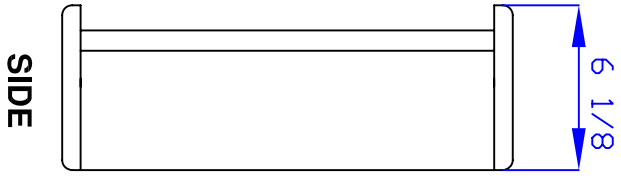
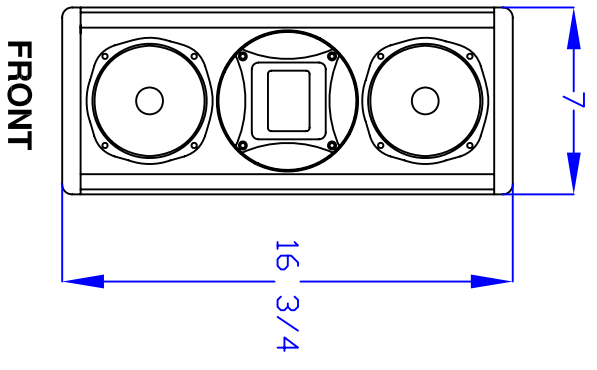
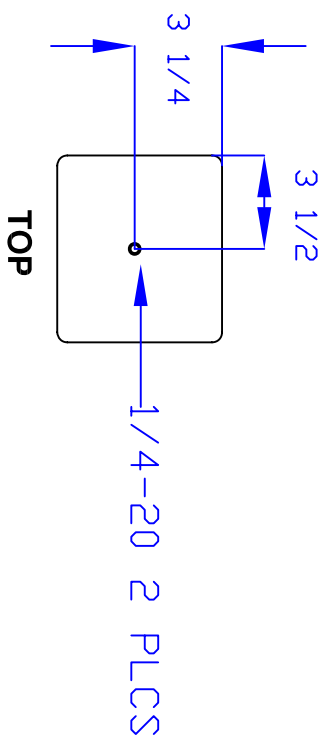


REVISIONS						
REV	DESCRIPTION	ECN	DATE	DFTSMN	CHK	APPR
01						
02						



UNLESS OTHERWISE SPECIFIED		TOLERANCE		SLS LOUDSPEAKERS 1650 W. JACKSON DZARK, MD 65721 417-883-4549 Fax: 417-883-2723	
ADD NOT SCALE DRAWING DIMENSIONS ARE IN INCHES		X/X = ±1/64 XX = ±.03 XXX = ±.010 ANGULAR ±5°			
MATERIAL AS SPECIFIED		FINISH ✓		MECHANICAL SPECIFICATION	
AS SPECIFIED		DRAWN BY P. STURLOCK		2403 CABINET	
AS SPECIFIED		CHECKED BY		2403	
		DATE 02/15/05		REV. 0	
		APPROVED BY		SCALE 1/1	
				SHEET 1 OF 1	
				REV. 0	