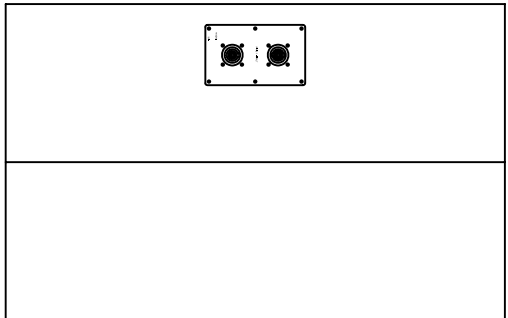
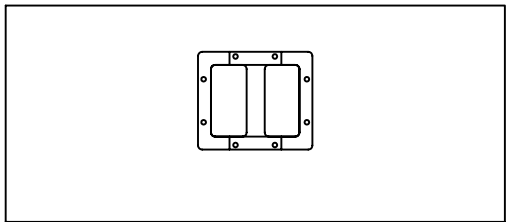
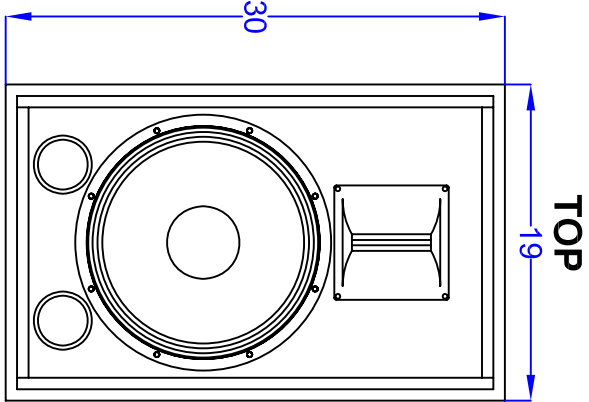
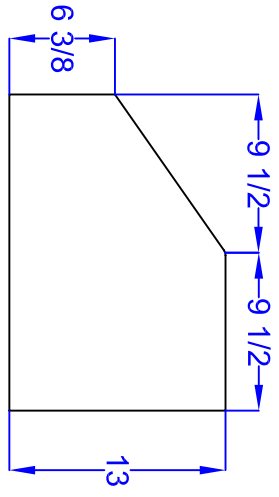


REVISIONS						
REV	DESCRIPTION	ECN	DATE	DFTSMN	CHK	APPR
01						
02						

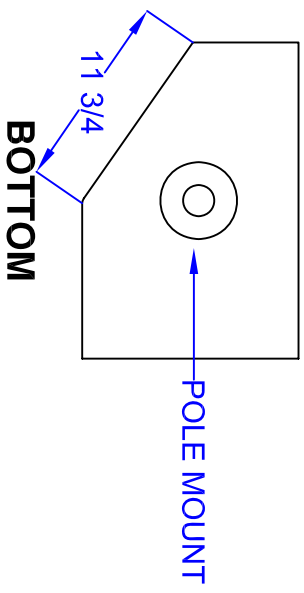


**FRONT**

**SIDE**

**BACK**

**TOP**



**BOTTOM**

UNLESS OTHERWISE SPECIFIED		TOLERANCE		<b>SLS LOUDSPEAKERS</b> 1650 W. JACKSON DZARK, MD 65721 417-883-4549 Fax: 417-883-2723	
1/10 NOT SCALE DRAWING DIMENSIONS ARE IN INCHES		X/X = ±1/64 XX = ±.03 XXX = ±.010 ANGULAR ±5°			
MATERIAL	AS SPECIFIED	FINISH	✓	MECHANICAL SPECIFICATION	
FINISH	AS SPECIFIED	DRAWN BY	P. SPURLOCK	DATE	05/19/05
AS SPECIFIED		CHECKED BY		DWG. NO.	1590
		APPROVED BY		SCALE	1/1
				SHEET	1 OF 1
				REV.	0