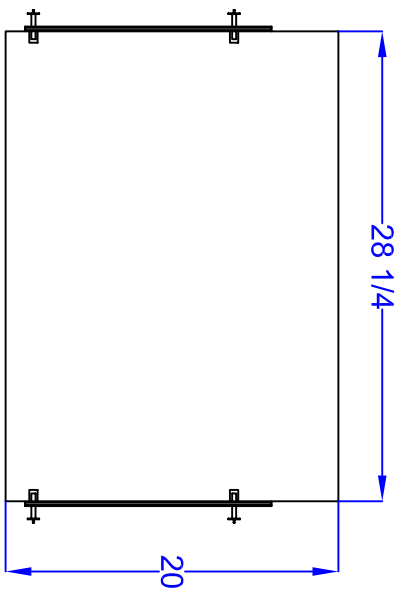
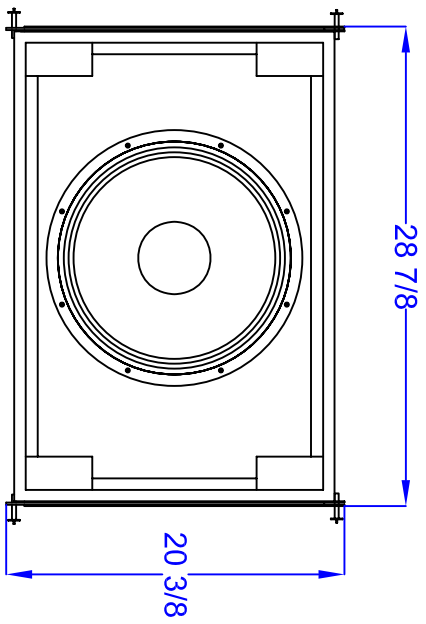


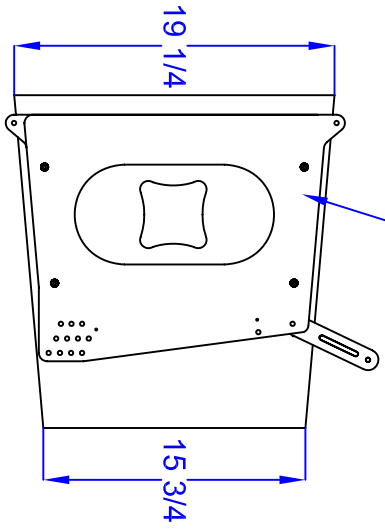
REVISIONS						
REV	DESCRIPTION	ECN	DATE	DFTSMN	CHK	APPR
01						
02						



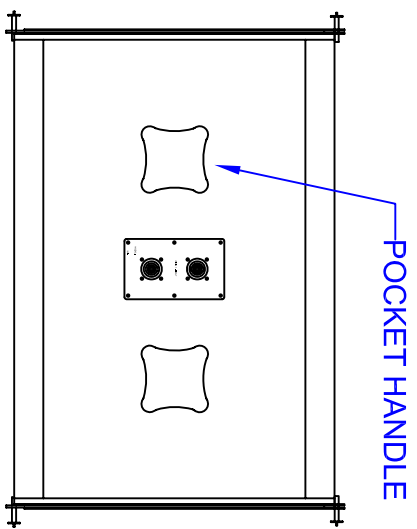
**TOP**



**FRONT**



**SIDE**



**BACK**

UNLESS OTHERWISE SPECIFIED		TOLERANCE	
1:10 NOT SCALE DRAWING DIMENSIONS ARE IN INCHES		X/Y = ±1/64 XX = ±.03 XXX = ±.010 ANGULAR ±5°	
MATERIAL	AS SPECIFIED	FINISH	✓
FINISH	AS SPECIFIED	DRAWN BY	P. SPURLOCK
AS SPECIFIED		CHECKED BY	
		DATE	04/19/05
		APPROVED BY	
<b>SLS LOUDSPEAKERS</b>		1650 W. Jackson Dzark, MD 65721 417-883-4549 Fax: 417-883-2723	
MECHANICAL SPECIFICATION		LSB8115 CABINET	
DWGNO.	LSB8115	SCALE	1/1
REV.	0	SHEET	1 OF 1